

CAPITOL CITY PEDIATRIC ASTHMA CENTER

DESIGN CONCEPT STATEMENT

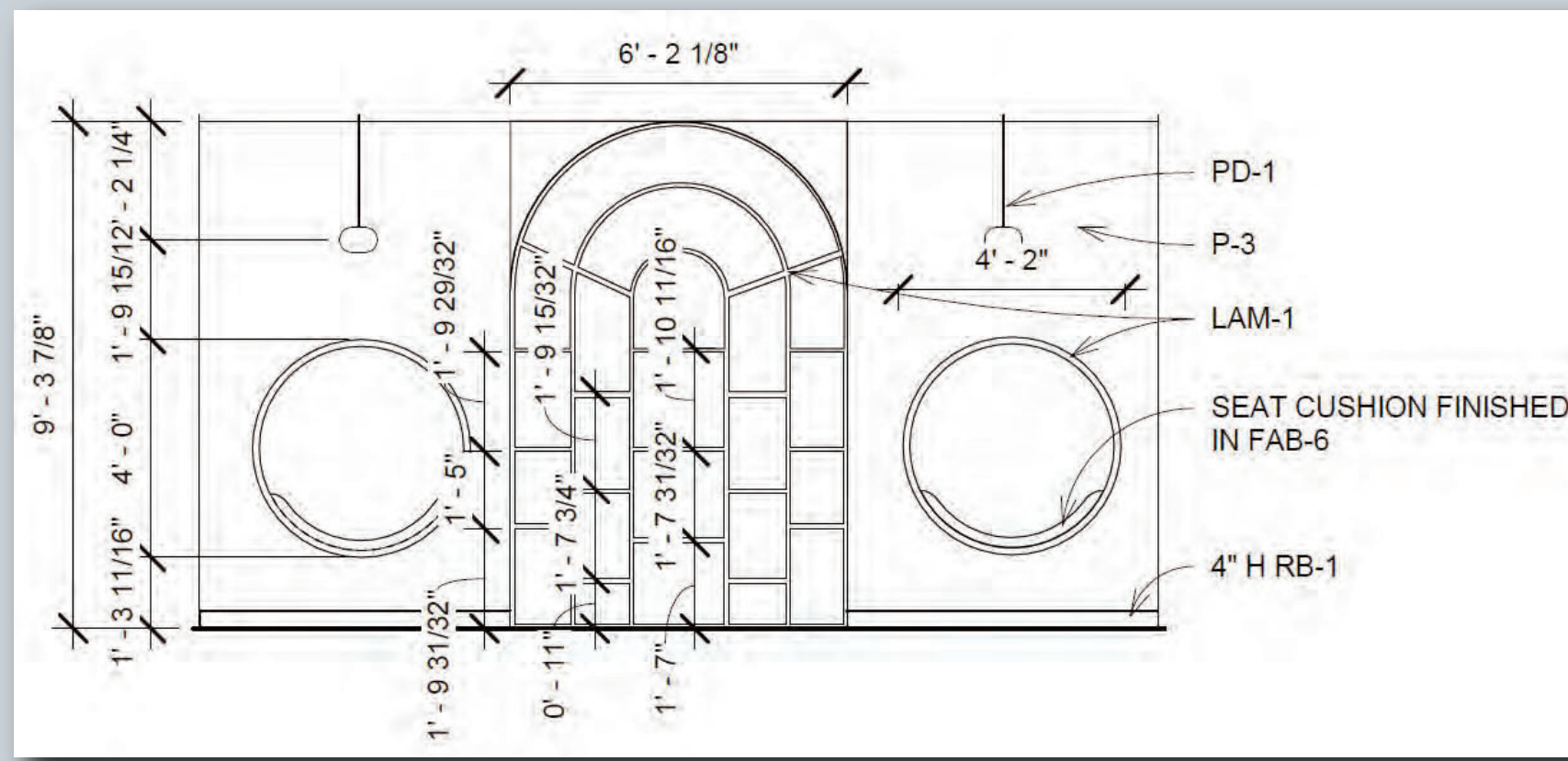
The Capitol City Pediatric Asthma Center (CCPAC) has recently acquired a building on the corner of Laurel and 5th Street in downtown Baton Rouge, Louisiana. This building is listed on the National Register of Historic Places and was constructed in 1956. The interior design of this new CCPAC location will be friendly, tranquil, inspiring, and organic. A friendly atmosphere will be presented with clear wayfinding to allow patients and parents to feel comfortable. Neutral walls with splashes of color will help guide users through the clinic. The environment of the clinic will be tranquil with the use of blues and greens, soft shapes of furniture and décor, and positive distractors for patients to relax before their appointments. The clinic will be inspiring with creativity areas for children and teens alike to participate in, such as coloring and virtual reality, and there will be pops of orange to stimulate imagination. Orange additionally has been seen to improve asthma symptoms. Organic elements will be incorporated throughout to align with the friendliness and tranquil environment. Images of nature and icons that represent natural elements will be present to help guide users through the space.

The color palette is blue, green, orange, and teal, which is a mix of cool and warm colors. Interior quality of life and wellness will be highly considered as well as LEAN principles, including collaboration areas and durability in materials. Employees who are at the clinic all day should be exposed to natural light, and it is additionally ideal for nurses and providers to have short travel distances while working. All finish materials will be sustainable and cleanable, ideally contributing to LEED credits or made with recyclable materials. A homelike feeling will be ensured with adequate clearances following ADA Guidelines to allow people of any age or ability to feel comfortable in this asthma clinic.



ACTIVE WAITING RENDERING

MATERIALS + FURNITURE



CUSTOM BOOKSHELF AND ELEVATION

PROJECT DESCRIPTION

The design of the CCPAC Asthma Clinic is set in place to positively impact children of all ages who visit the clinic. The design will be centered around the patients, but also will focus deeply on healthy working environments for faculty and staff, as well as comfort for parents and guardians. An effective design will come to fruition with LEAN principles such as reducing travel distances for staff and utilizing appropriate and sustainable materials to ensure durability and longevity. A large part of durability is utilizing appropriate materials for a healthcare setting, so all upholstery fabrics have been selected as vinyl to guarantee easy cleanability. Inclusivity is another focal point to make certain all visitors can utilize the space to its full potential. Inclusivity will be addressed by placing 5-foot turnarounds in all necessary locations and having a variety of different seating types. For patient and visitor comfort, wayfinding will be clear and visible for all to see. Further comfort of patients will be brought on with natural elements to lead to a tranquil feeling environment. Connection to nature allows all people in the building to feel more comfortable overall. From the design of this asthma clinic, a desirable outcome is that patients feel safe and want to return to the clinic to get the care they need, and that staff can have positive experiences at work while being efficient and successful.

LEVEL 1 KEY

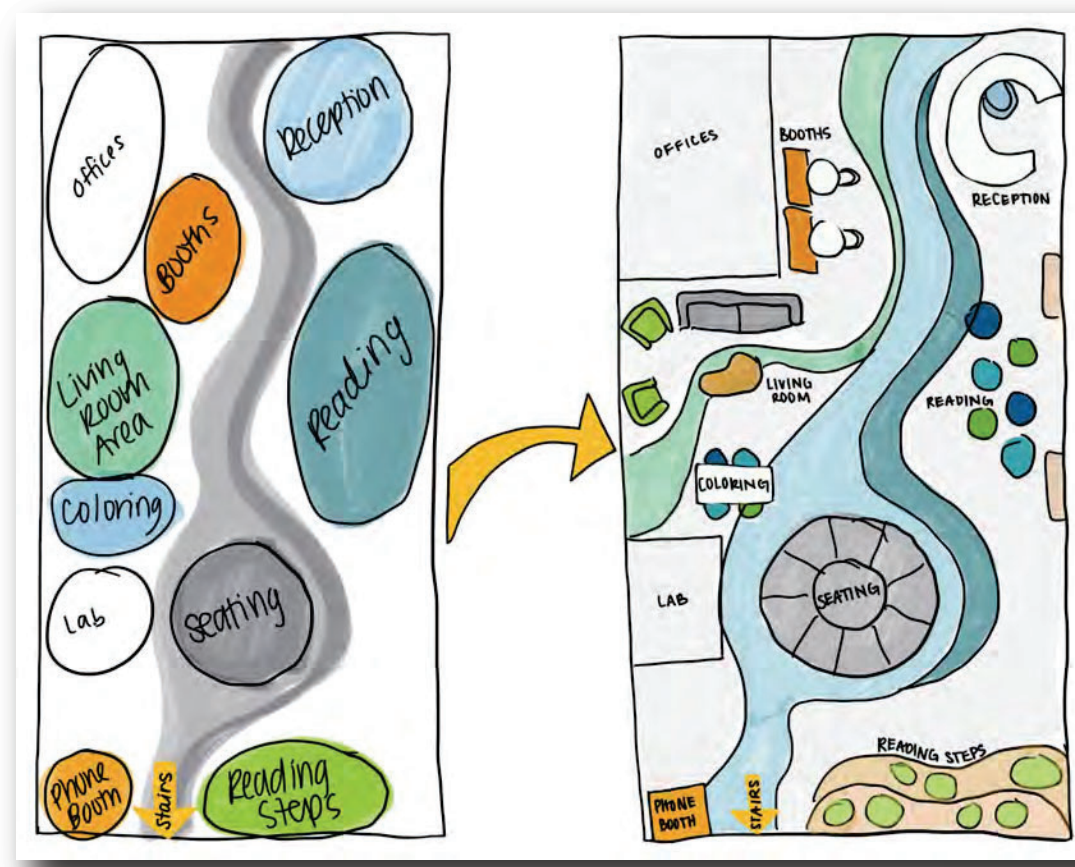
- EXAM ROOMS
- CARE TEAM AREAS
- PA/RN AREA
- VITALS
- RESTROOMS
- SOILED UTILITY
- CLEAN UTILITY
- ACTIVE WAITING
- RECEPTION
- MED ROOM
- PHARMACY
- LAB
- X-RAY
- DATA



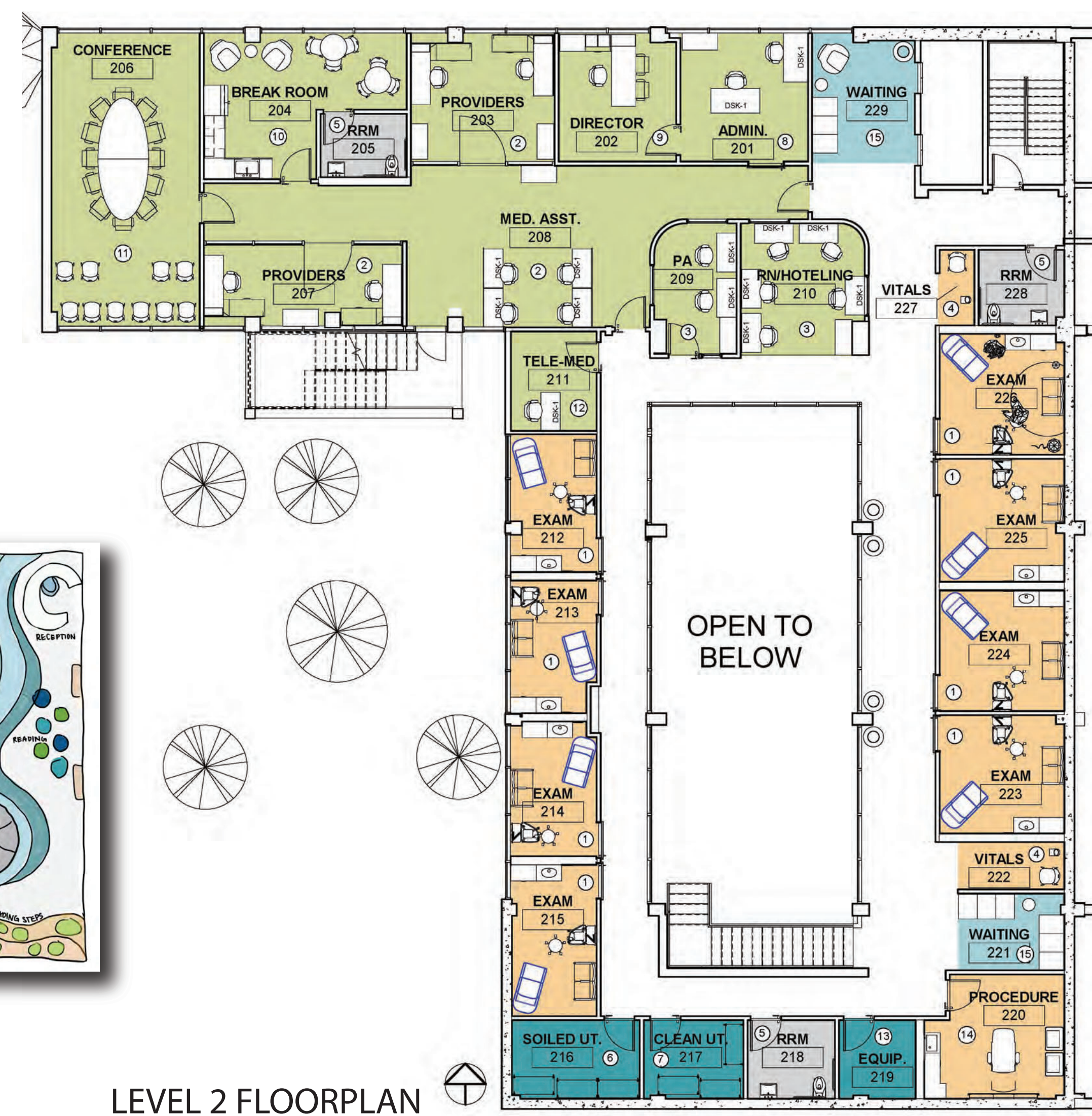
LEVEL 1 FLOORPLAN

COLOR KEY

- PATIENT + EXAM
- STAFF AREAS
- PUBLIC + WAITING
- SPECIALTY
- RESTROOMS



PROCESS WORK



LEVEL 2 FLOORPLAN

LEVEL 2 KEY

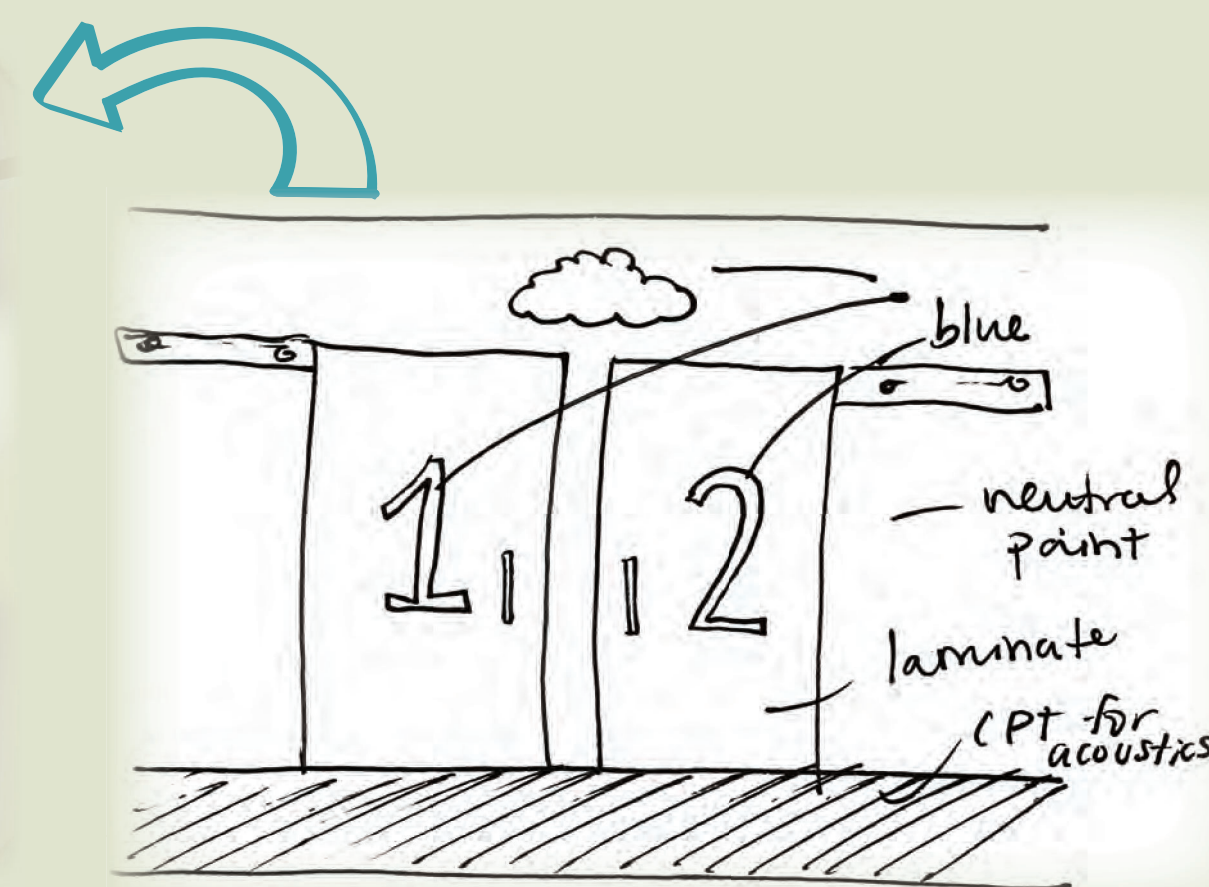
- EXAM ROOMS
- CARE TEAM AREAS
- PA/RN AREA
- VITALS
- RESTROOMS
- SOILED UTILITY
- CLEAN UTILITY
- ADMIN OFFICE
- DIRECTOR
- BREAK ROOM
- CONFERENCE
- TELE-MED
- EQUIPMENT
- PROCEDURE
- WAITING



EXAM ROOM



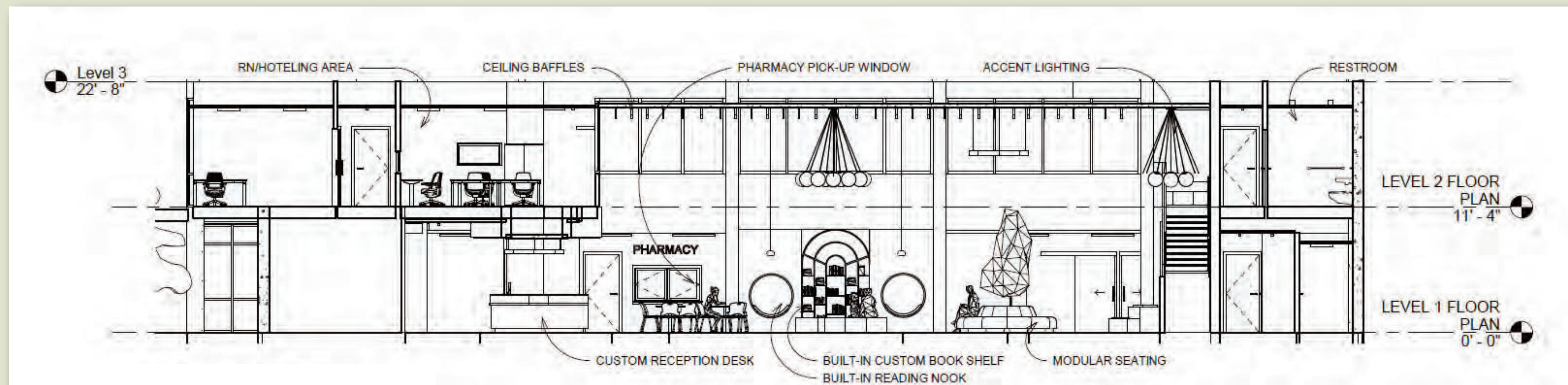
EXAM ROOM WAYFINDING



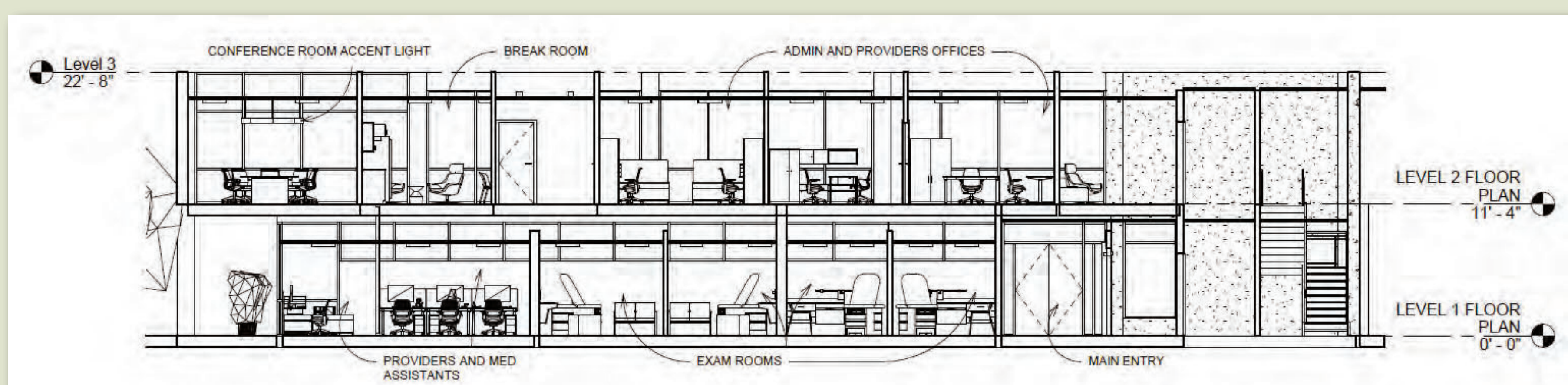
WAYFINDING PROCESS



RECEPTION AND CHECK-IN



TRANSVERSE SECTION



LONGITUDINAL SECTION



VIRTUAL REALITY AND COLORING AREA



OPEN AND PRIVATE OFFICES